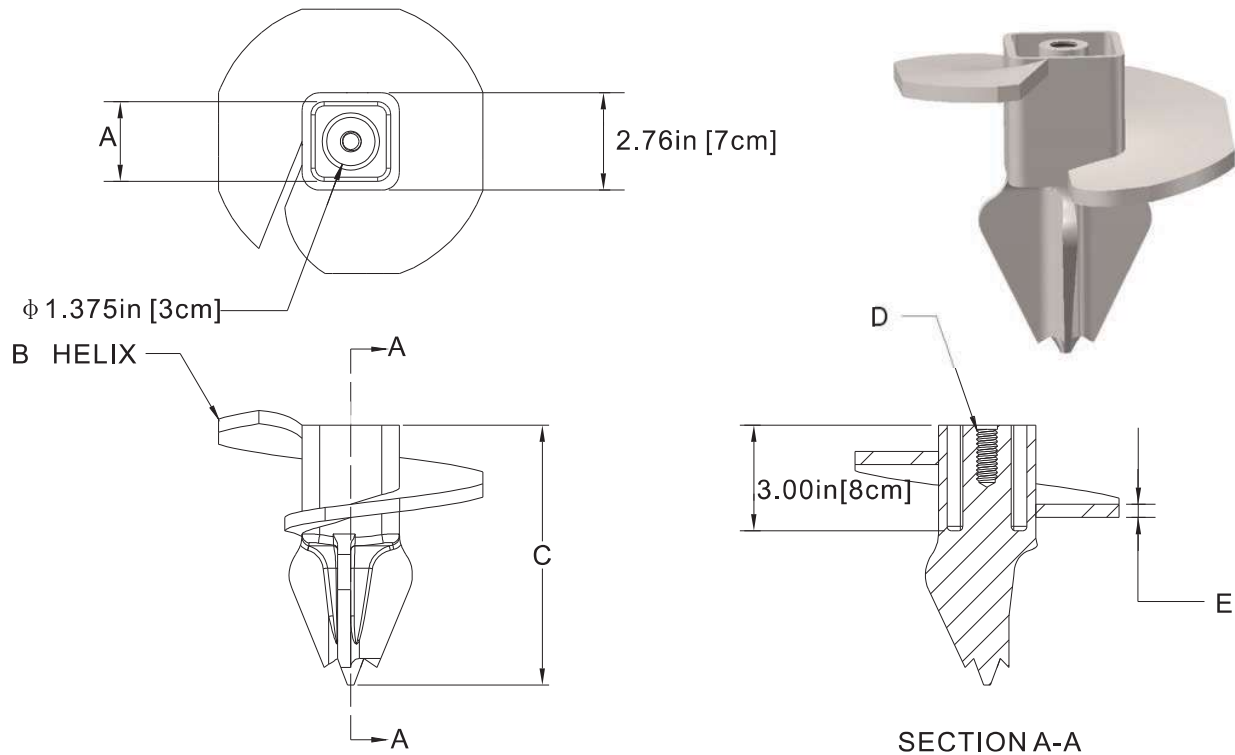


SOCKET ANCHORS

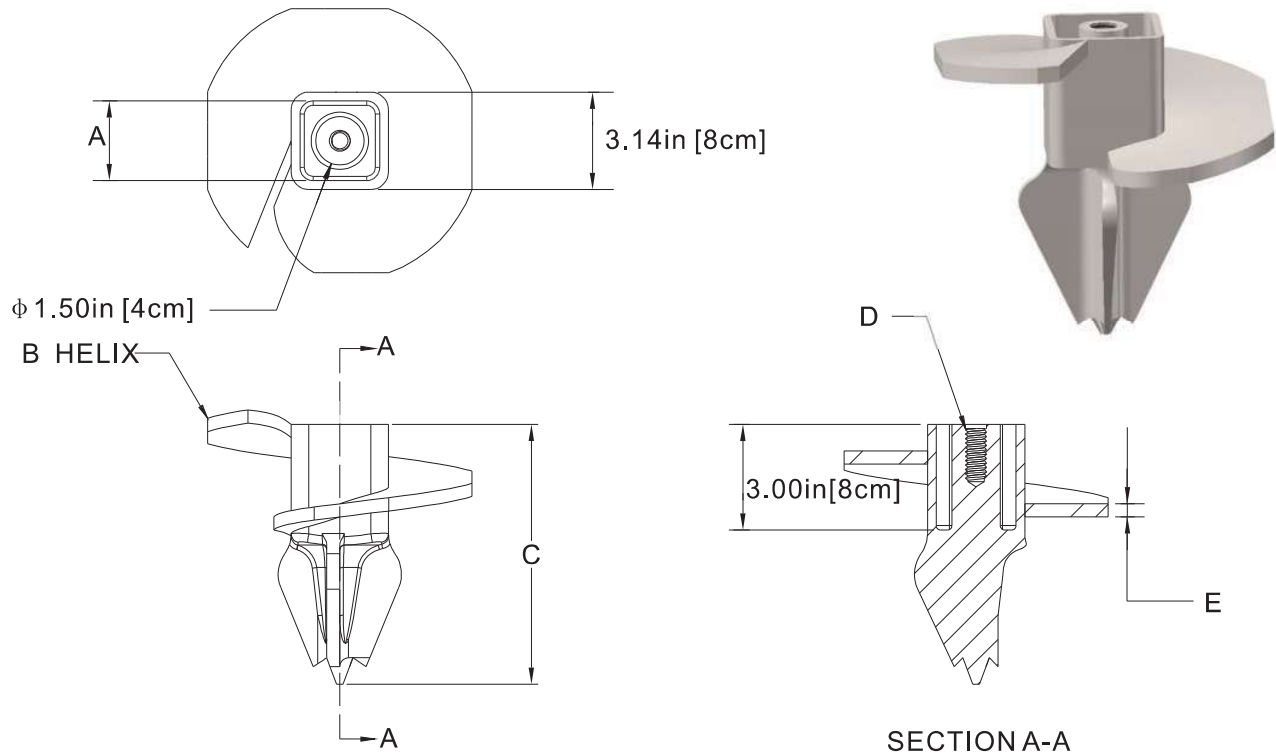


2-1/4" Socket Anchor - 10,000 Ft.Lb. Ultimate Installing Torque, 3/8" helix For Standard Installing Tool					
Catalog No.	A	B	C	D	E
G225-82	2-1/4	8	7-3/8	5/8	3/8
G225-84	2-1/4	8	7-3/8	3/4 or 1	3/8
G225-102	2-1/4	10	7-3/8	5/8	3/8
G225-104	2-1/4	10	7-3/8	3/4 or 1	3/8
G225-112	2-1/4	12	7-3/8	5/8	3/8
G225-114	2-1/4	12	7-3/8	3/4 or 1	3/8
G225-134	2-1/4	14	7-3/8	3/4 or 1	3/8

2-1/4" Socket Anchor - 10,000 Ft.Lb. Ultimate Installing Torque, 1/2" helix For Standard Installing Tool					
Catalog No.	A	B	C	D	E
GH225-82	2-1/4	8	7-3/8	5/8	1/2
GH225-84	2-1/4	8	7-3/8	3/4 or 1	1/2
GH225-102	2-1/4	10	7-3/8	5/8	1/2
GH225-104	2-1/4	10	7-3/8	3/4 or 1	1/2
GH225-112	2-1/4	12	7-3/8	5/8	1/2
GH225-114	2-1/4	12	7-3/8	3/4 or 1	1/2
GH225-134	2-1/4	14	7-3/8	3/4 or 1	1/2

Materials: Steel with blue paint

SOCKET ANCHORS



2-1/2" Socket Anchor - 10,000 Ft.Lb. Ultimate Installing Torque, 3/8" helix For Standard Installing Tool					
Catalog No.	A	B	C	D	E
G250-82	2-1/2	8	8	5/8	3/8
G250-84	2-1/2	8	8	3/4 or 1	3/8
G250-102	2-1/2	10	8	5/8	3/8
G250-104	2-1/2	10	8	3/4 or 1	3/8
G250-112	2-1/2	12	8	5/8	3/8
G250-114	2-1/2	12	8	3/4 or 1	3/8
G250-134	2-1/2	14	8	3/4 or 1	3/8

2-1/2" Socket Anchor - 15,000 Ft.Lb. Ultimate Installing Torque, 1/2" helix For Standard Installing Tool					
Catalog No.	A	B	C	D	E
GH250-82	2-1/2	8	8	5/8	1/2
GH250-84	2-1/2	8	8	3/4 or 1	1/2
GH250-102	2-1/2	10	8	5/8	1/2
GH250-104	2-1/2	10	8	3/4 or 1	1/2
GH250-112	2-1/2	12	8	5/8	1/2
GH250-114	2-1/2	12	8	3/4 or 1	1/2
GH250-134	2-1/2	14	8	3/4 or 1	1/2

Materials: Steel with blue paint